



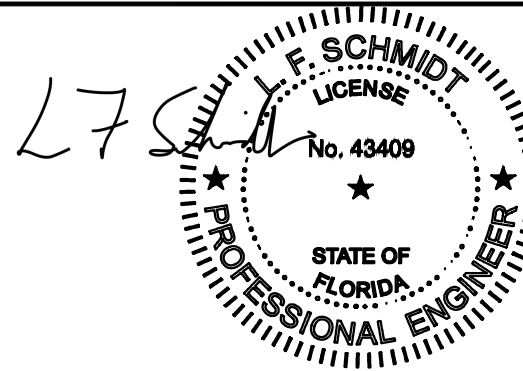
250 Staunton Turnpike, Parkersburg, WV 26104

8800 Series Vinyl Horizontal Sliding Window "IMPACT"

GENERAL NOTES

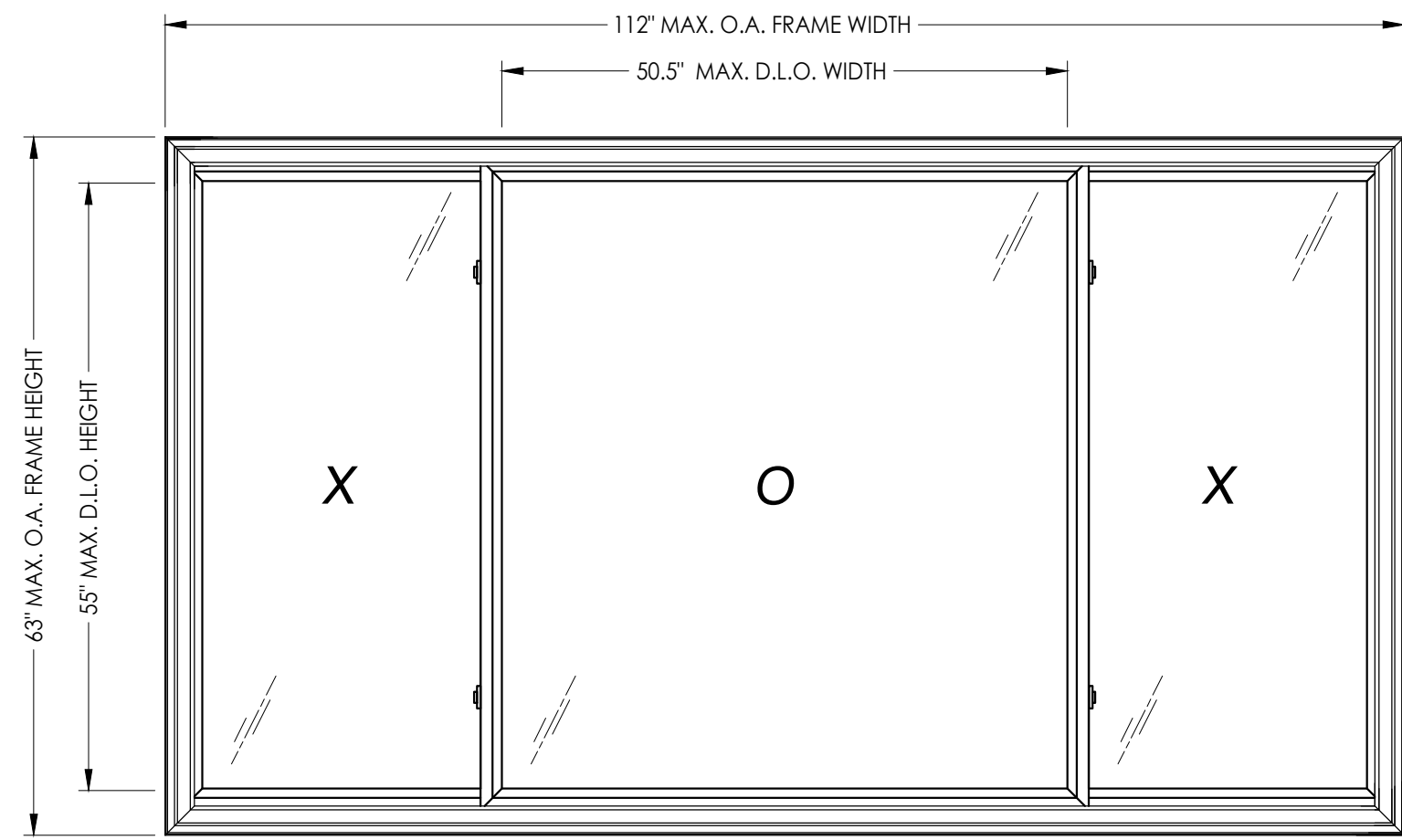
1. This product has been evaluated and is in compliance with the 8th Edition (2023) Florida Building Code (FBC) structural requirements excluding the "High Velocity Hurricane Zone" (HVHZ).
2. Product anchors shall be as listed and spaced as shown on details. Anchor embedment to base material shall be beyond wall dressing or stucco.
3. When used in areas requiring wind borne debris protection this product complies with FBC Sections 1609.1.2 & R301.2.1.2 and does not require an impact resistant covering. This product meets missile level "D" and includes Wind Zone 4 as defined in ASTM E1996 and FBC Sections 1609.1.2.2 & R301.2.1.2.1.
4. For 2x stud framing construction, anchoring of these units shall be the same as that shown for 2x buck masonry construction.
5. Site conditions that deviate from the details of this drawing require further engineering analysis by a licensed engineer or registered architect.

TABLE OF CONTENTS	
SHEET#	DESCRIPTION
1	Typical elevations, design pressures and general notes
2	Horizontal cross sections
3	Vertical cross sections
4	Buck and frame anchoring
5	Components
6	Bill of materials and glazing details



This item has been digitally signed and sealed by L. F. Schmidt, P.E. on the date adjacent to the seal. Printed copies of this document are not considered signed and sealed and the signature must be verified on any electronic copies.

THIS PRODUCT APPROVAL IS VALID ONLY FOR THE STATE OF FLORIDA



XOX SHOWN
XXX ALSO APPROVED

MAX. FRAME DIMENSION	MAX. D.L.O. DIMENSION	GLASS TYPE	DESIGN PRESSURE (PSF)	
			POSITIVE	NEGATIVE
110.0" X 62.0"	49.5" X 54.0"	G1	+45.0	-45.0
112.0" X 63.0"	50.5" X 55.0"	G2	+50.0	-55.0
112.0" X 63.0"	50.5" X 55.0"	G3	+60.0	-65.0

Documents Prepared By:
Lyndon F. Schmidt
P.E. No. 43409

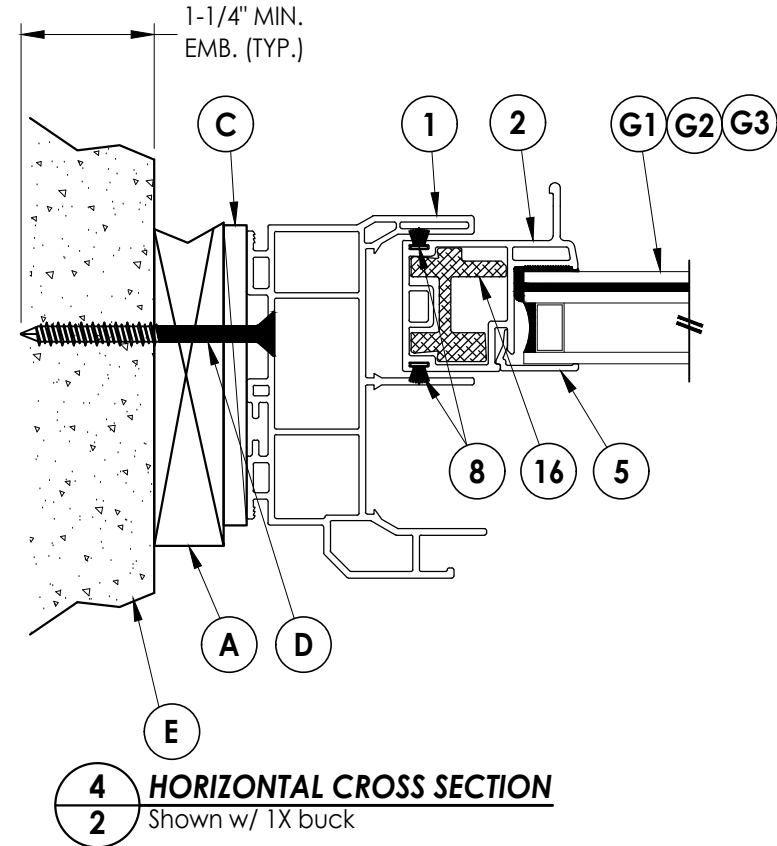
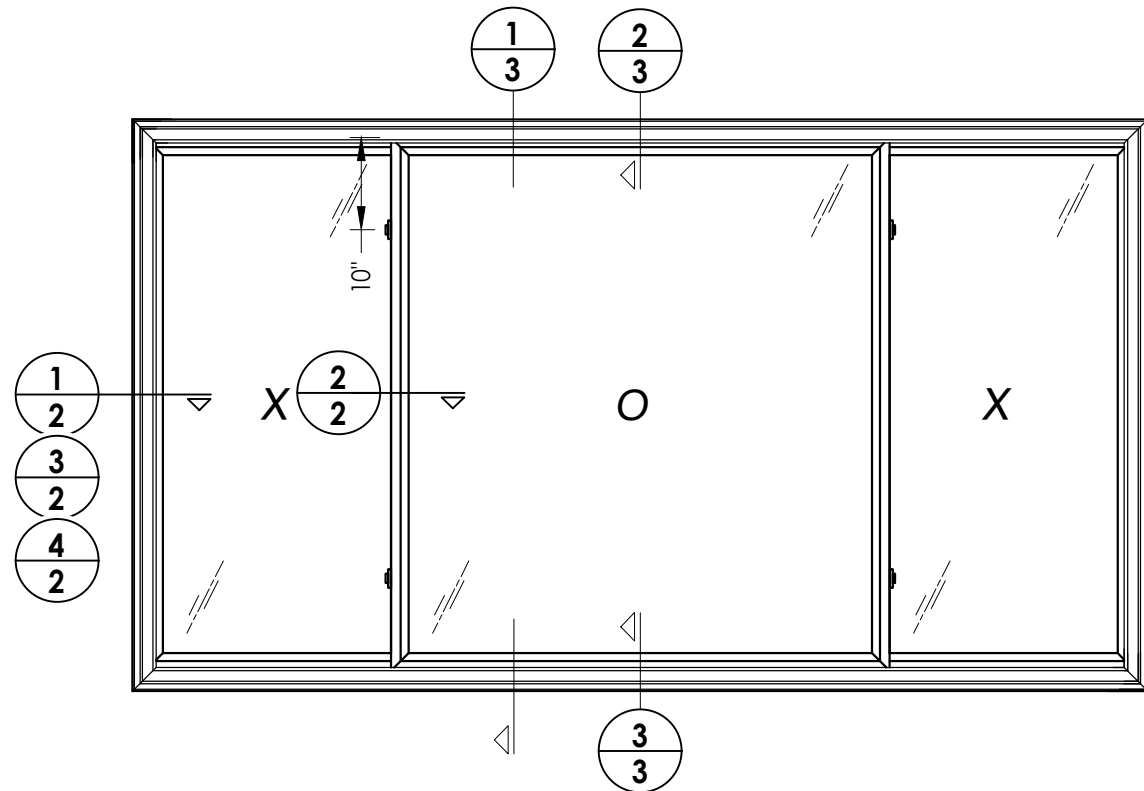
8800 SERIES

PART OR ASSEMBLY:
TYPICAL ELEVATION, DESIGN PRESSURES & GENERAL NOTES

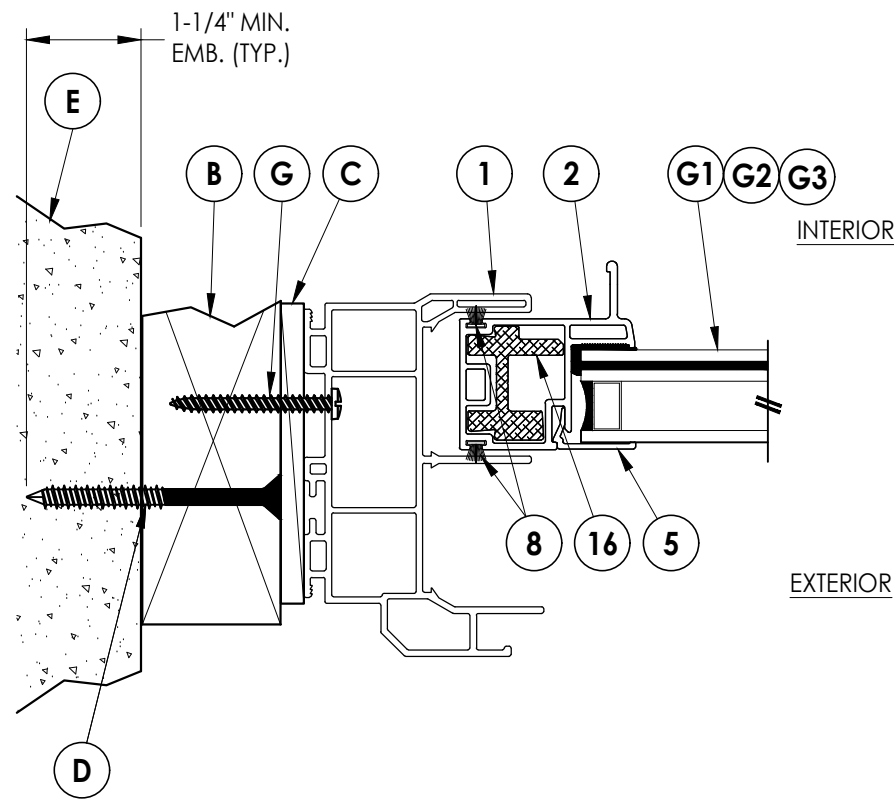
NO.	DATE	REVISIONS
6	7/06/23	UPDATE TO 8TH ED. (2023) FBC
5	7/06/20	UPDATE TO 7TH ED. (2020) FBC
4	1/30/19	REVISE ANCHORING
3	6/01/17	UPDATE TO 6TH ED. (2017) FBC
2	1/28/15	UPDATE TO 5TH ED. (2014) FBC
1	4/04/13	UPDATE FRAME SIZE/DP/GLZ

DATE: 12/05/12
SCALE: N.T.S.
DWG. BY: JK
CHK. BY: LFS
DRAWING NO.: FL-16092.5
SHEET 1 of 6

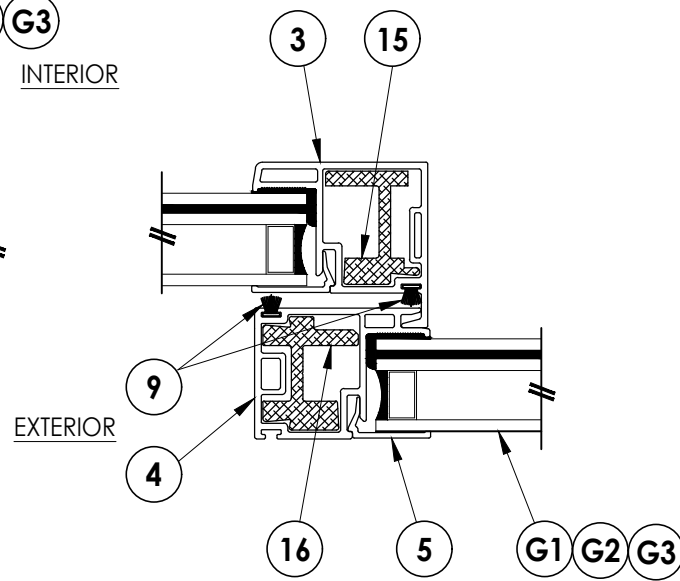
BUILDING CONSULTANTS, INC.
P.O. Box 230, Valrico, FL 33595
Phone No.: 813.659.9197
FBPE Registry No. 9813



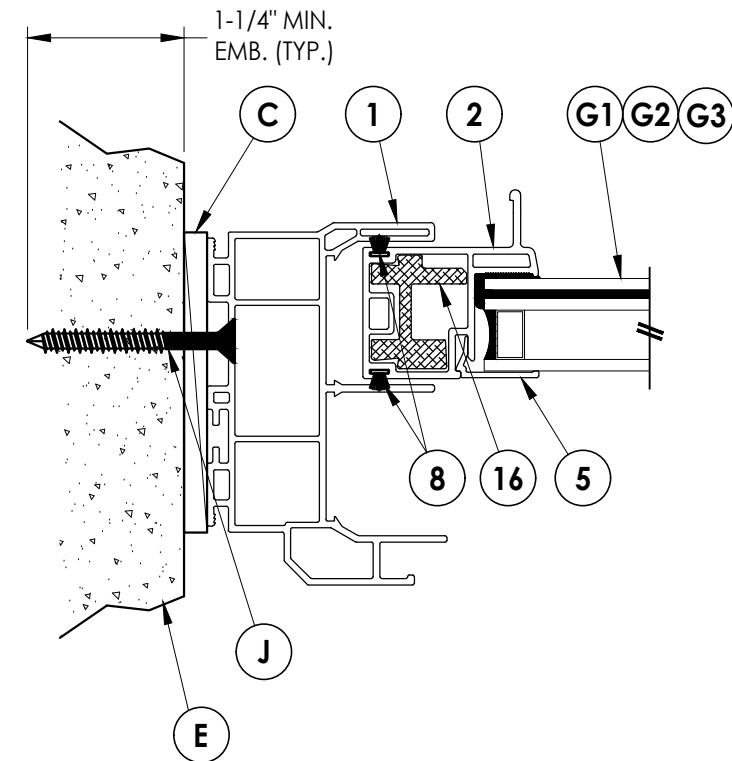
4 HORIZONTAL CROSS SECTION
2 Shown w/ 1X buck



1 HORIZONTAL CROSS SECTION
2 Shown w/ 2X buck



2 HORIZONTAL CROSS SECTION
2



3 HORIZONTAL CROSS SECTION
2 Shown direct to masonry

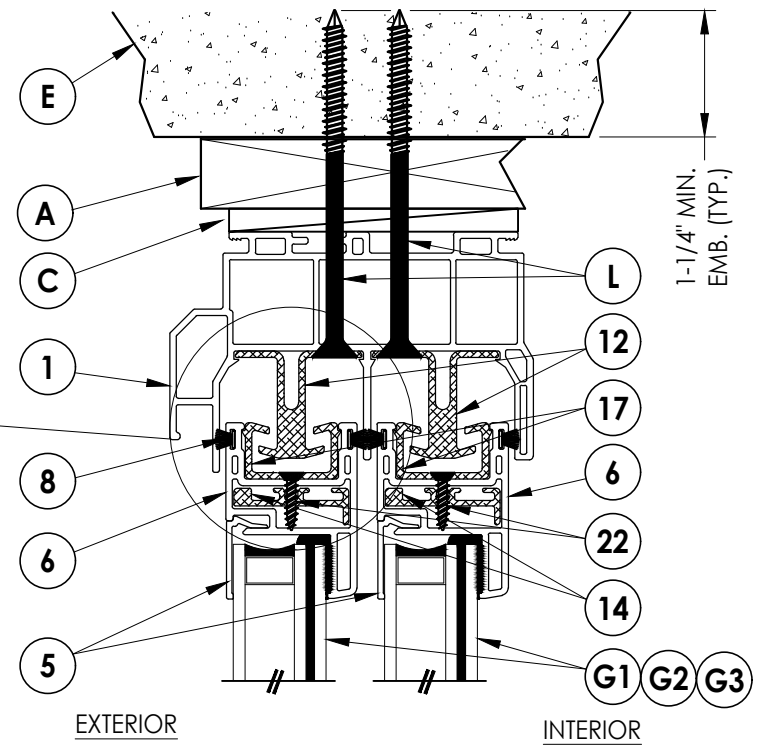
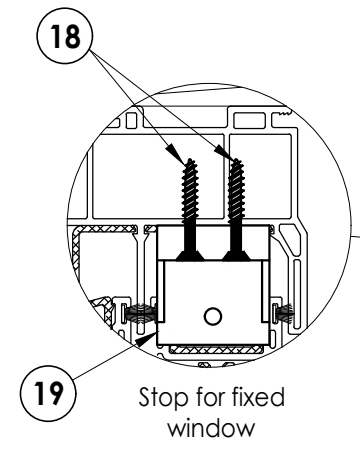
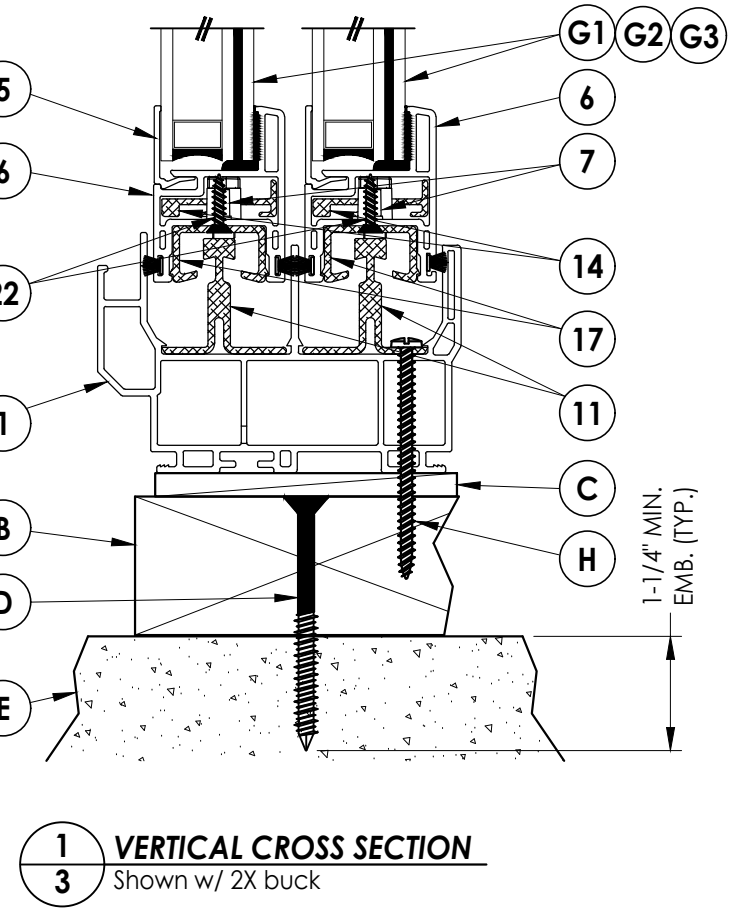
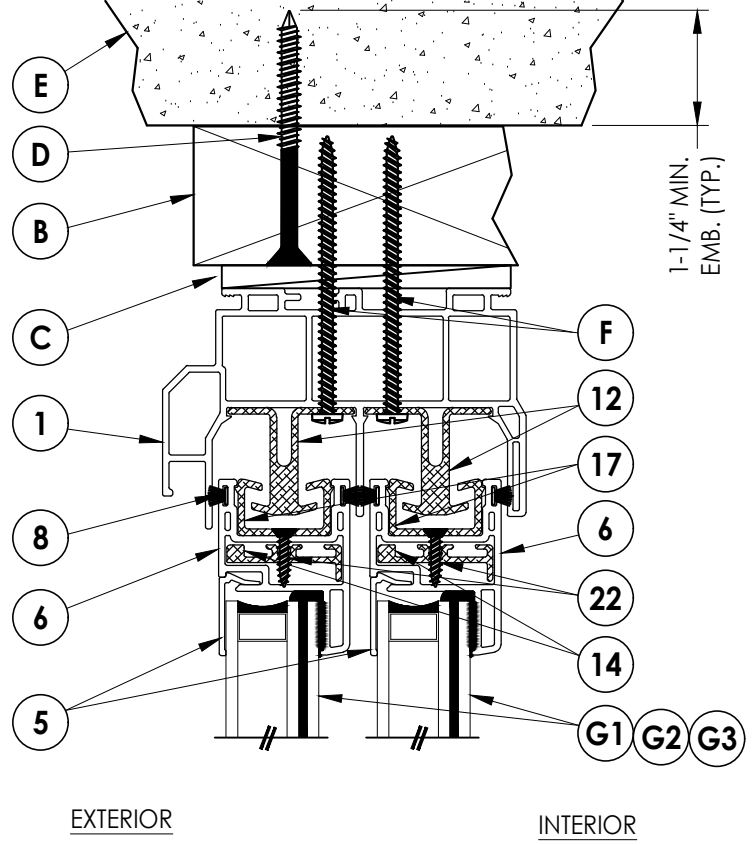
Documents Prepared By:
 Lyndon F. Schmidt
 P.E. No. 43409

RW BUILDING CONSULTANTS, INC.
 P.O. Box 230, Valrico, FL 33595
 Phone No.: 813.659.9197
 FBPE Registry No. 9813

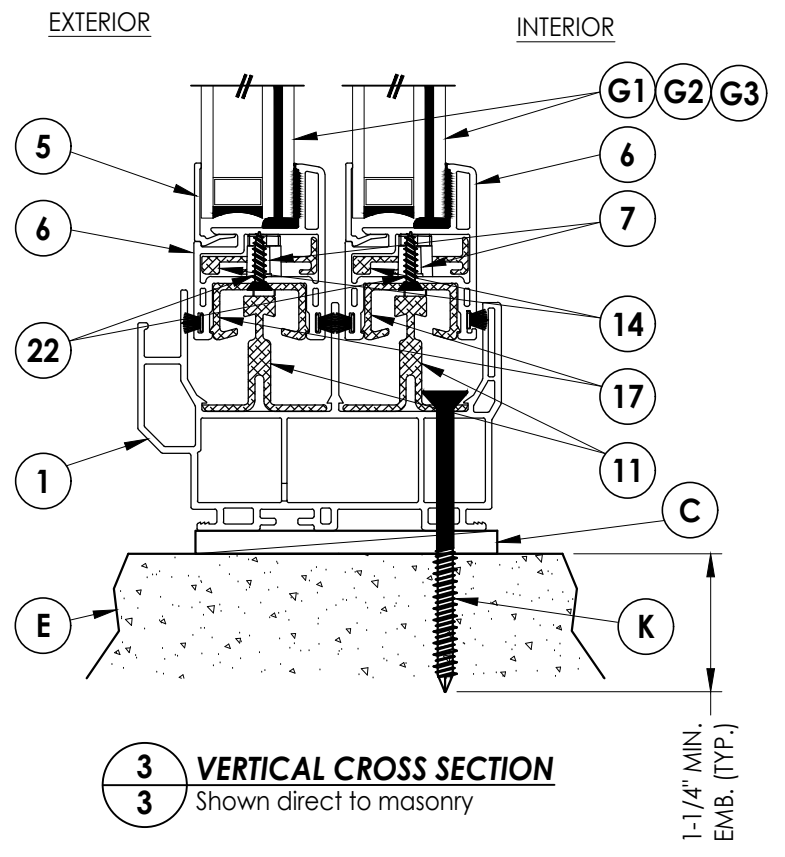
PRODUCT: 8800 SERIES
 PART OR ASSEMBLY: HORIZONTAL CROSS SECTIONS

NO.	DATE	REVISIONS
6	7/06/23	UPDATE TO 8TH ED. (2023) FBC LFS
5	7/06/20	UPDATE TO 7TH ED. (2020) FBC LFS
4	1/30/19	REVISE ANCHORING MT
3	6/01/17	UPDATE TO 6TH ED. (2017) FBC LFS
2	1/28/15	UPDATE TO 5TH ED. (2014) FBC JK
1	4/04/13	UPDATE FRAME SIZE/DP/GLZ LFS
		BY

DATE: 12/05/12
 SCALE: N.T.S.
 DWG. BY: JK
 CHK. BY: LFS
 DRAWING NO.: FL-16092.5
 SHEET 2 OF 6



2 VERTICAL CROSS SECTION
3 Shown w/ 1X buck



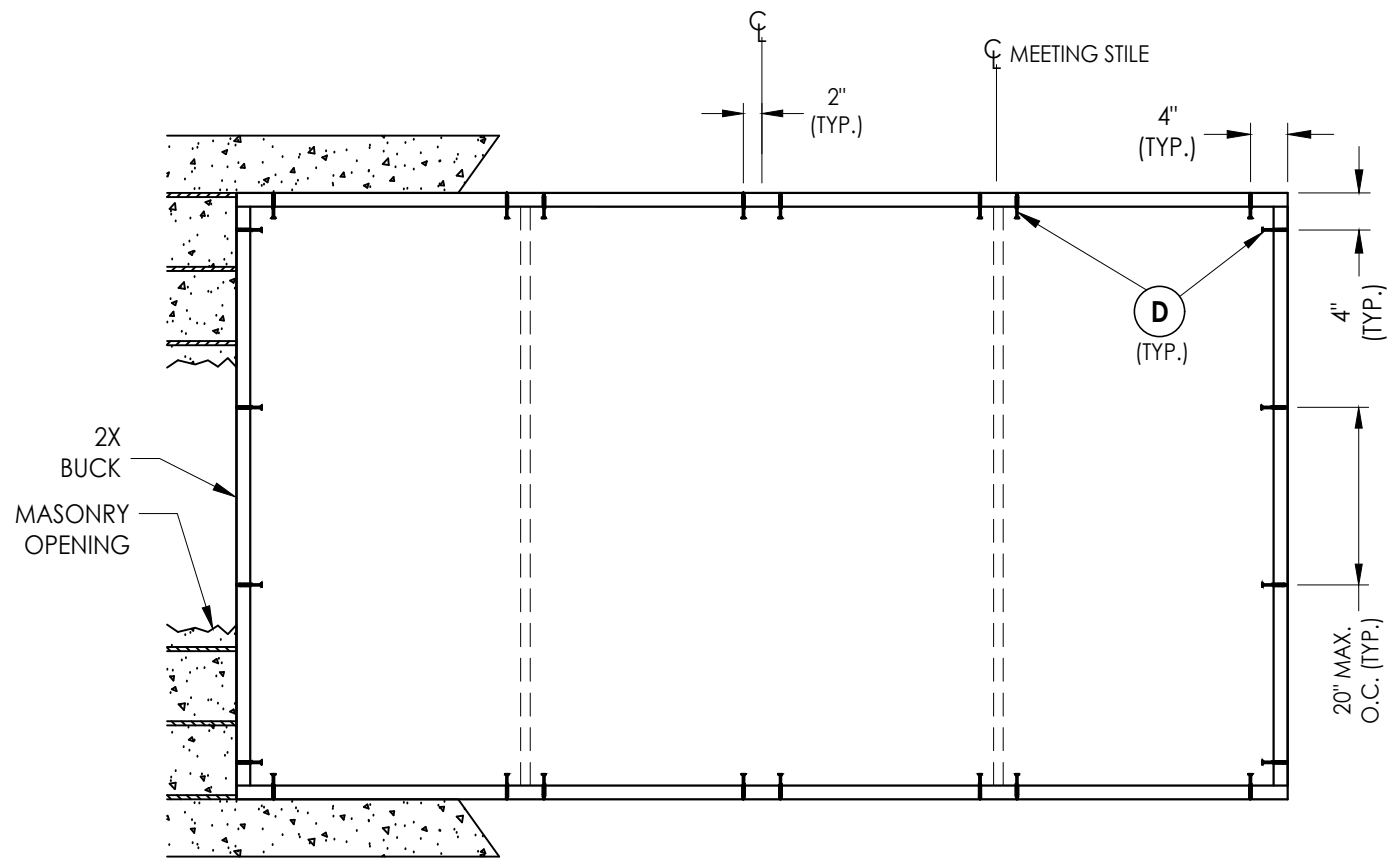
Documents Prepared By:
Lyndon F. Schmidt
P.E. No. 43409

RW BUILDING CONSULTANTS, INC.
P.O. Box 230, Vairico, FL 33595
Phone No.: 813.659.9197
FBPE Registry No. 9813

PRODUCT: 8800 SERIES
PART OR ASSEMBLY: VERTICAL CROSS SECTIONS

NO.	DATE	REVISIONS	BY
6	7/06/23	UPDATE TO 8TH ED. (2023)	FBC
5	7/06/20	UPDATE TO 7TH ED. (2020)	FBC
4	1/30/19	REVISE ANCHORING	MT
3	6/01/17	UPDATE TO 6TH ED. (2017)	FBC
2	1/28/15	UPDATE TO 5TH ED. (2014)	FBC
1	4/04/13	UPDATE FRAME SIZE/DP/GLZ	LFS

DATE: 12/05/12
SCALE: N.T.S.
DWG. BY: JK
CHK. BY: LFS
DRAWING NO.: FL-16092.5
SHEET 3 of 6



BUCK ANCHORING

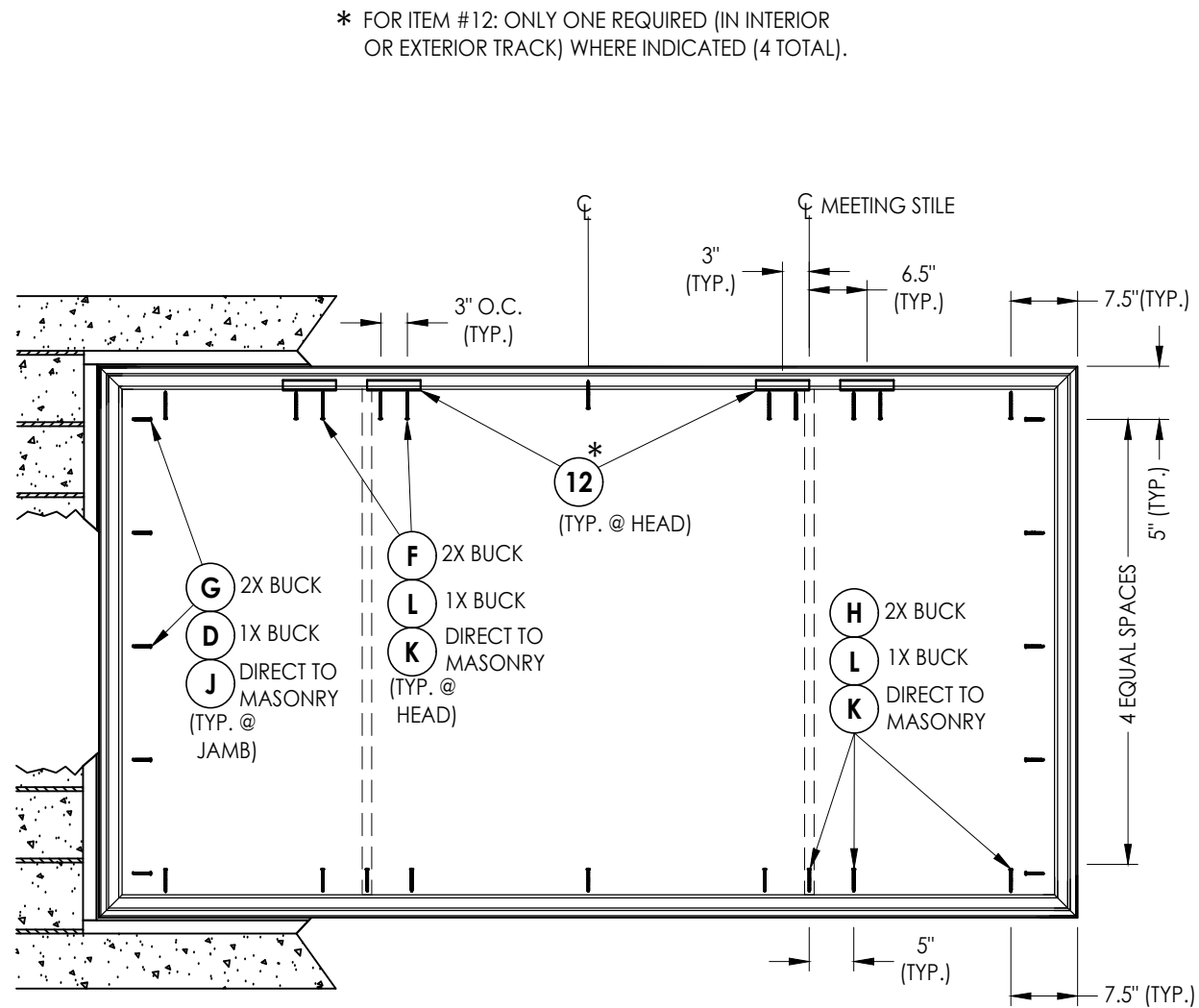
CONCRETE ANCHOR NOTES:

1. Concrete anchor locations at the corners may be adjusted to maintain the min. edge distance to mortar joints.
2. Concrete anchor locations noted as "MAX. ON CENTER" must be adjusted to maintain the min. edge distance to mortar joints, additional concrete anchors may be required to ensure the "MAX. ON CENTER" dimension are not exceeded.
3. Concrete anchor table:

ANCHOR TYPE	ANCHOR SIZE	MIN. EMBEDMENT	MIN. CLEARANCE TO MASONRY EDGE	MIN. CLEARANCE TO ADJACENT ANCHOR
ITW TAPCON®	1/4"	1-1/4"	2"	4"
DeWALT ULTRACON+®	1/4"	1-1/4"	2-1/2"	3"
HILTI KWIK-CON II+®	1/4"	1-1/4"	2-1/2"	3"

WOOD SCREW INSTALLATION NOTES:

1. Maintain a minimum 5/8" edge distance, 1" end distance, & 1" o.c. spacing of wood screws to prevent the splitting of wood.



FRAME ANCHORING

* FOR ITEM #12: ONLY ONE REQUIRED (IN INTERIOR OR EXTERIOR TRACK) WHERE INDICATED (4 TOTAL).

Documents Prepared By:
Lyndon F. Schmidt
P.E. No. 43409

RW BUILDING CONSULTANTS, INC.
P.O. Box 230, Vairico, FL 33595
Phone No.: 813.659.9197
FBPE Registry No. 9813

PRODUCT: 8800 SERIES

PART OR ASSEMBLY:
BUCK & FRAME ANCHORING

NO.	DATE	REVISIONS
6	7/06/23	UPDATE TO 8TH ED. (2023) FBC LFS
5	7/06/20	UPDATE TO 7TH ED. (2020) FBC LFS
4	1/30/19	REVISE ANCHORING MT
3	6/01/17	UPDATE TO 6TH ED. (2017) FBC LFS
2	1/28/15	UPDATE TO 5TH ED. (2014) FBC JK
1	4/04/13	UPDATE FRAME SIZE/DP/GLZ LFS

DATE: 12/05/12

SCALE: N.T.S.

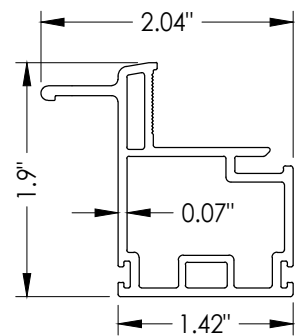
DWG. BY: JK

CHK. BY: LFS

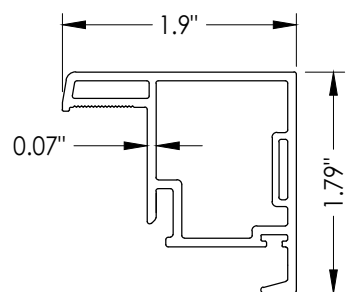
DRAWING NO.:

FL-16092.5

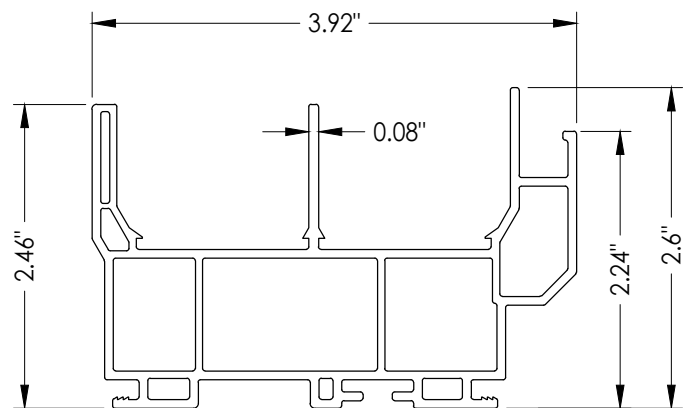
SHEET 4 OF 6



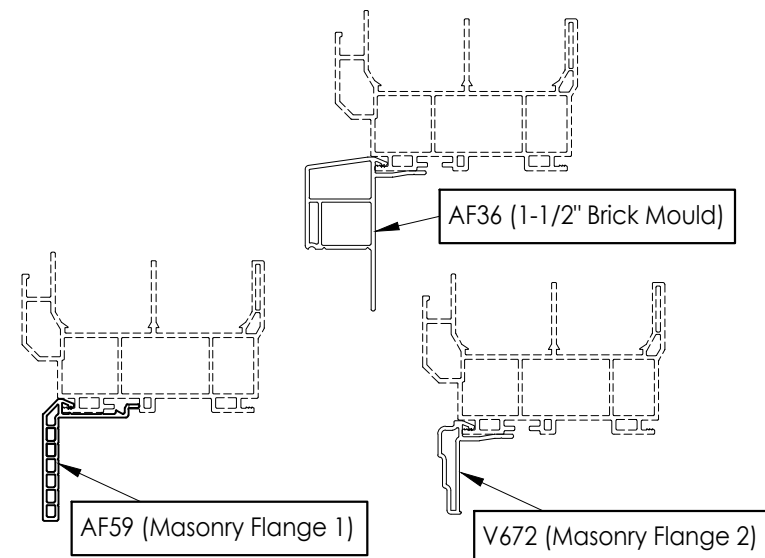
2 SLIDER PULL STILE



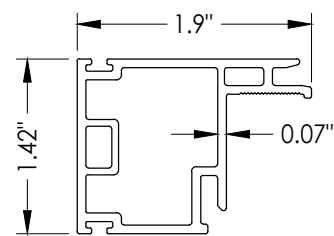
3 LOCK STILE



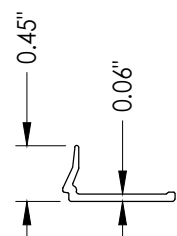
1 FRAME



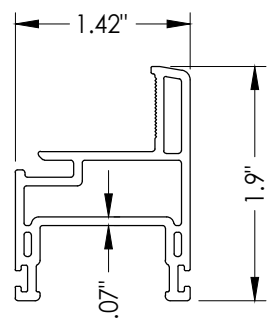
OPTIONAL COSMETIC FLANGES



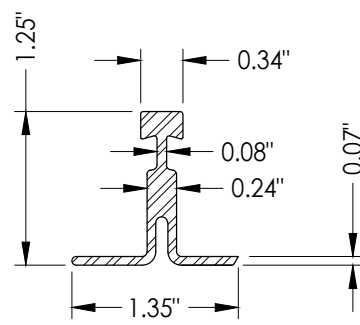
4 KEEPER STILE



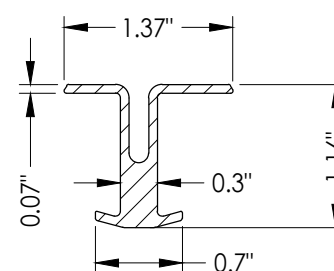
5 GLAZING BEAD



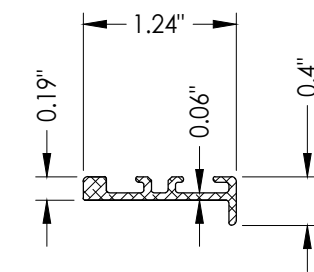
6 SLIDER COMMON RAIL



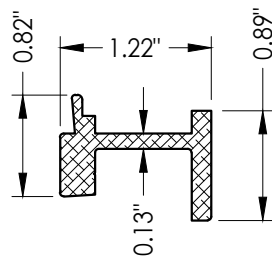
11 SILL TRACK
Full width



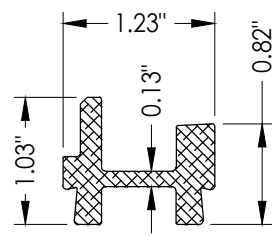
12 HEAD TRACK
6\"/>



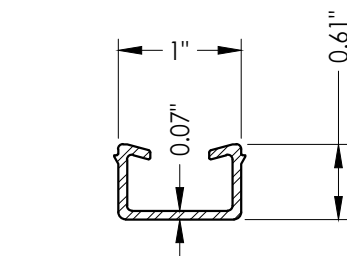
14 REINFORCEMENT
Common Rail



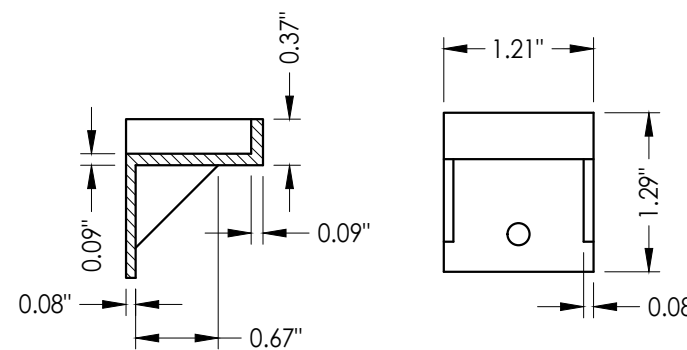
15 REINFORCEMENT
Lock Stile



16 REINFORCEMENT
Keeper and Pull Stile



17 SLIDER SASH RETAINING CLIP



19 FLANKER STOP

Documents Prepared By:
Lyndon F. Schmidt
P.E. No. 43409

RW BUILDING CONSULTANTS, INC.
P.O. Box 230, Vairico, FL 33595
Phone No.: 813.659.9197
FBPE Registry No. 9813

PRODUCT: 8800 SERIES

NO.	DATE	REVISIONS
6	7/06/23	UPDATE TO 8TH ED. (2023)
5	7/06/20	UPDATE TO 7TH ED. (2020)
4	1/30/19	REVISE ANCHORING
3	6/01/17	UPDATE TO 6TH ED. (2017)
2	1/28/15	UPDATE TO 5TH ED. (2014)
1	4/04/13	UPDATE FRAME SIZE/DP/GLZ

DATE: 12/05/12

SCALE: N.T.S.

DWG. BY: JK

CHK. BY: LFS

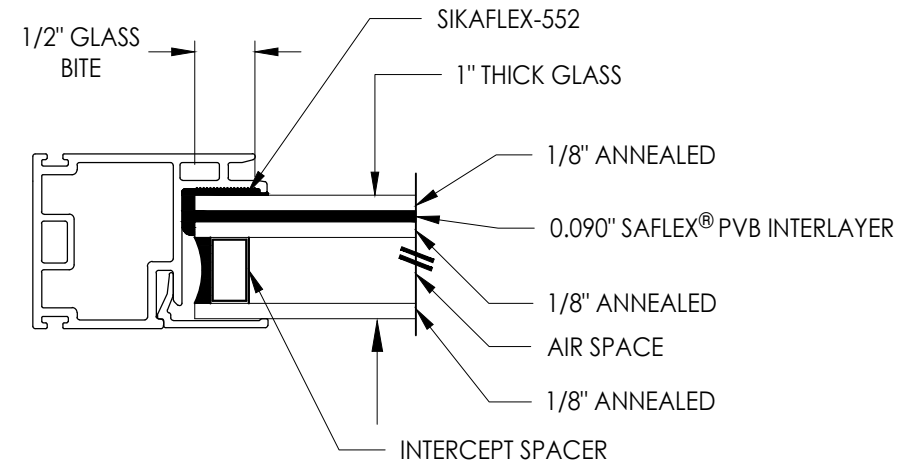
DRAWING NO.:
FL-16092.5

SHEET 5 OF 6

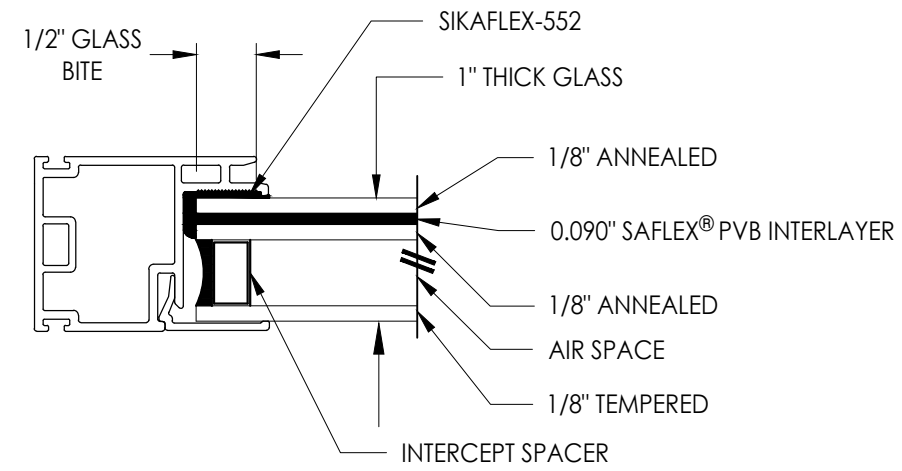
BILL OF MATERIALS

ITEM #	DESCRIPTION	MATERIAL
A	1X BUCK (SG >= 0.42)	WOOD
B	2X BUCK (SG >= 0.42)	WOOD
C	1/4" MAX. SHIM SPACE	-
D	1/4" X 2-3/4" PFH DeWALT OR ITW CONCRETE SCREW	STEEL
E	MASONRY - 3,000 PSI MIN. CONCRETE CONFORMING TO ACI 301 OR HOLLOW BLOCK CONFORMING TO ASTM C90	CONCRETE
F	#10 X 3" PPH WOOD SCREW (1-3/8" MIN. EMBEDMENT)	STEEL
G	#10 X 1-3/4" PPH WOOD SCREW (1-1/8" MIN. EMBEDMENT)	STEEL
H	#10 X 2-1/2" PPH WOOD SCREW (7/8" MIN. EMBEDMENT)	STEEL
J	1/4" X 2-1/4" ITW CONCRETE SCREW	STEEL
K	1/4" X 3-1/4" ITW CONCRETE SCREW	STEEL
L	1/4" X 3-3/4" ITW CONCRETE SCREW	STEEL
1	FRAME*	PVC
2	SLIDER PULL STILE*	PVC
3	LOCK STILE*	PVC
4	KEEPER STILE*	PVC
5	GLAZING BEAD*	PVC
6	SLIDER COMMON RAIL*	PVC
7	BALL BEARING ROLLER	-
8	WEATHERSTRIP (0.230")	-
9	WEATHERSTRIP (0.380")	-
11	SILL TRACK	ALUM
12	HEAD TRACK	ALUM
14	SLIDE RAIL REINFORCEMENT (6063-T6 ALUM)	ALUM
15	REINFORCEMENT (6005-T5 ALUM)	ALUM
16	REINFORCEMENT (6005-T5 ALUM)	ALUM
17	SLIDER SASH RETAINING CLIP	ALUM
18	#8 X 1" PFH SMS	STEEL
19	FLANKER STOP	NYLON
22	#8 X 5/8" (#6 head) PFH SMS	STEEL

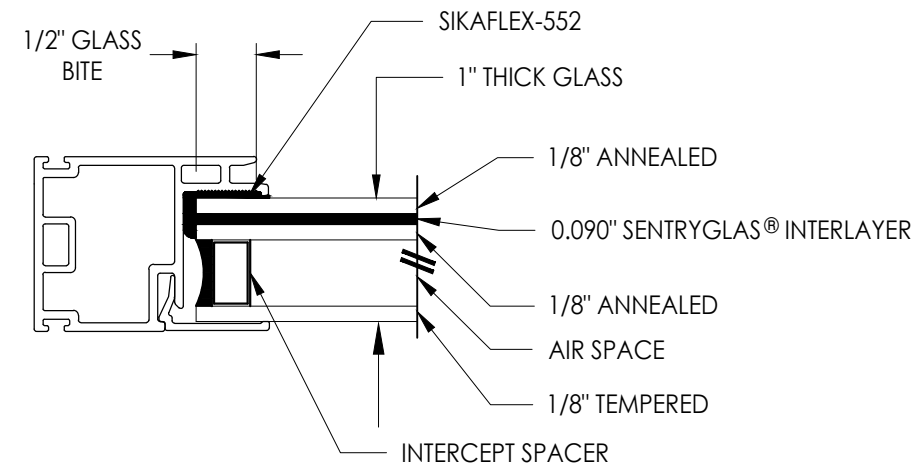
* THE APPROVED WHITE RIGID PVC EXTERIOR EXTRUSIONS FOR WINDOWS ARE TO BE PRODUCED BY EXTRUDERS LICENSEES IN "AAMA CERTIFICATION PROGRAMS FOR RIGID PVC EXTRUSIONS".



G1 GLAZING DETAIL



G2 GLAZING DETAIL



G3 GLAZING DETAIL

Documents Prepared By:
Lyndon F. Schmidt
P.E. No. 43409

RW BUILDING CONSULTANTS, INC.
P.O. Box 230, Valrico, FL 33595
Phone No.: 813.659.9197
FBPE Registry No. 9813

PRODUCT: 8800 SERIES

PART OR ASSEMBLY:
BILL OF MATERIALS
& GLAZING DETAILS

NO.	DATE	UPDATE TO	REVISIONS
6	7/06/23	UPDATE TO 8TH ED. (2023)	FBC
5	7/06/20	UPDATE TO 7TH ED. (2020)	FBC
4	1/30/19	REVISE ANCHORING	MT
3	6/01/17	UPDATE TO 6TH ED. (2017)	FBC
2	1/28/15	UPDATE TO 5TH ED. (2014)	FBC
1	4/04/13	UPDATE FRAME SIZE/DP/GLZ	LFS
			BY

DATE: 12/05/12

SCALE: N.T.S.

DWG. BY: JK

CHK. BY: LFS

DRAWING NO.:

FL-16092.5

SHEET 6 OF 6